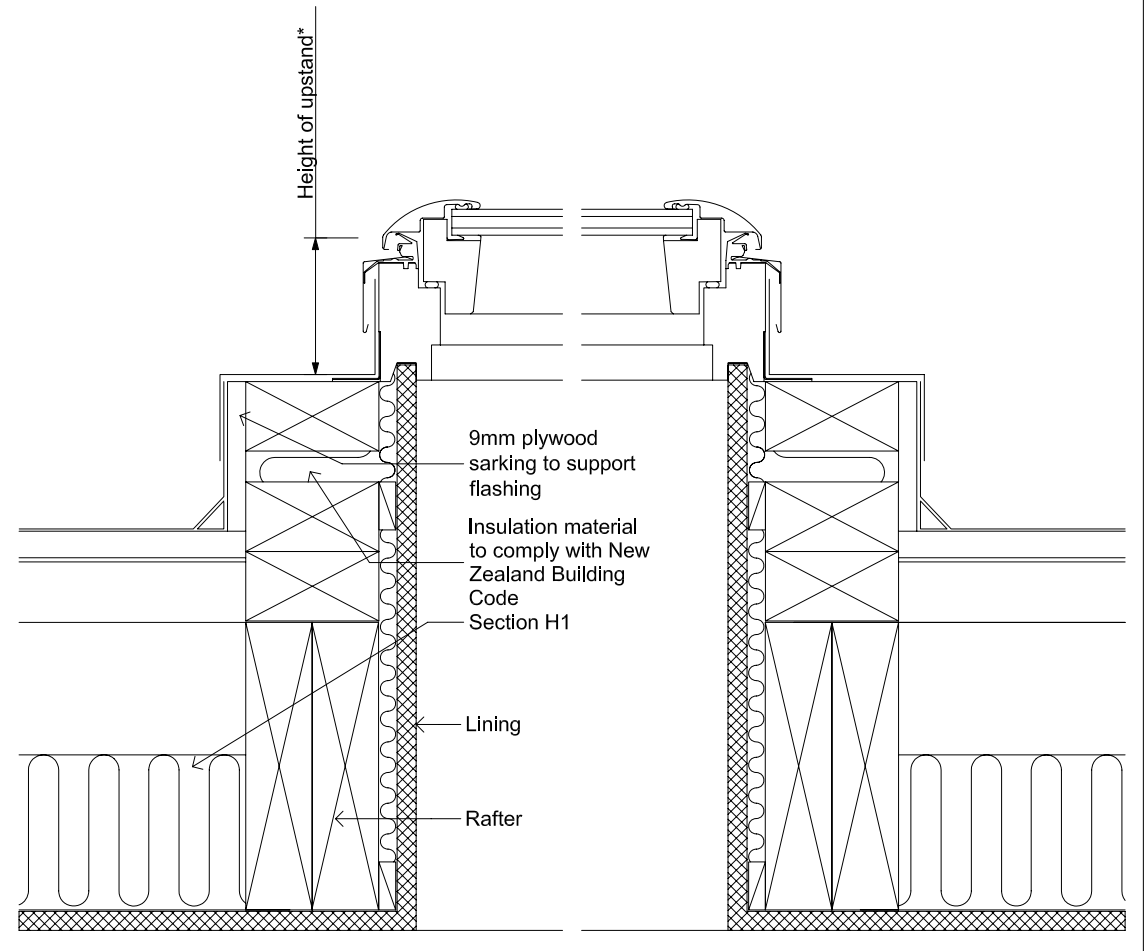
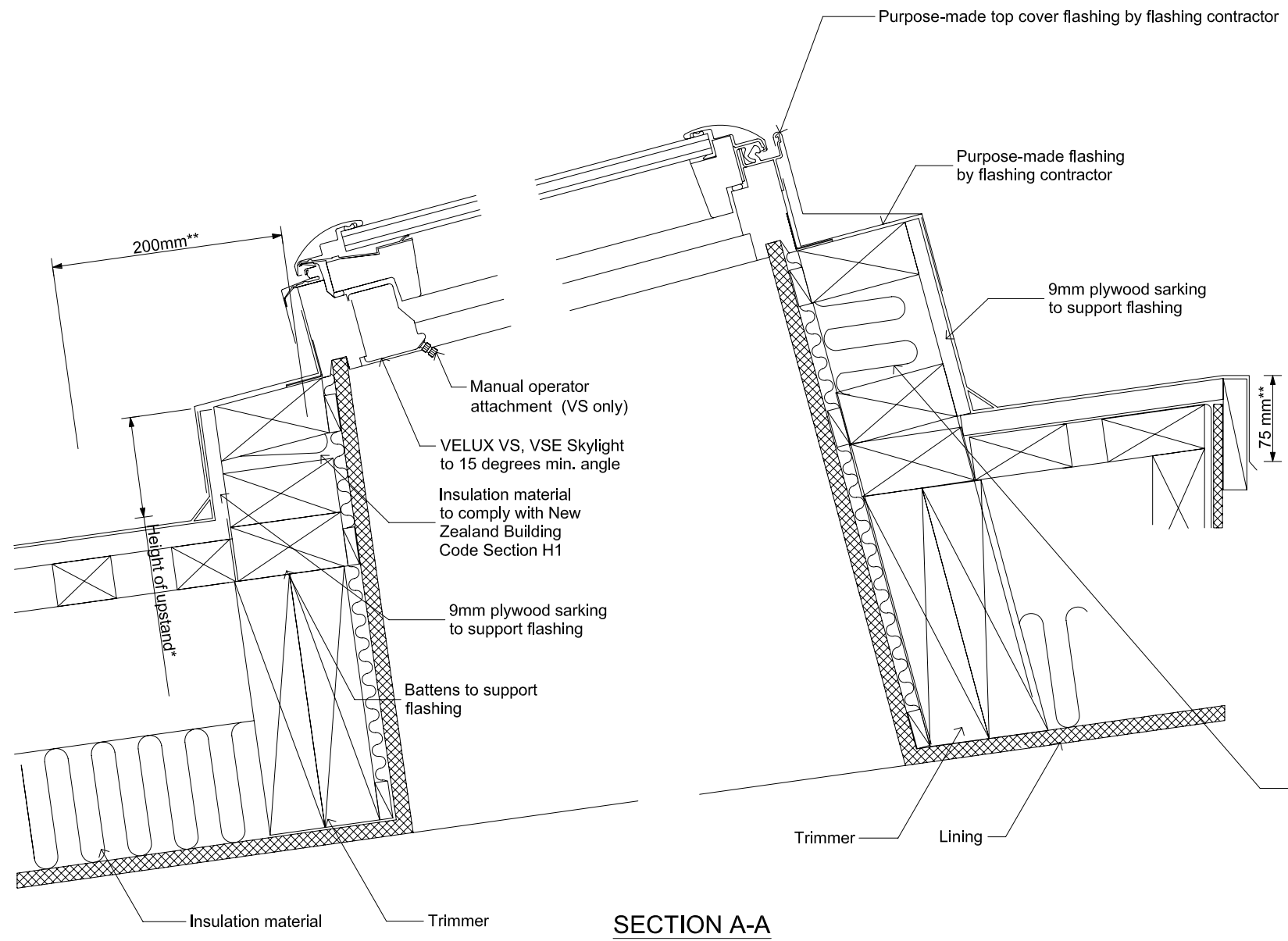
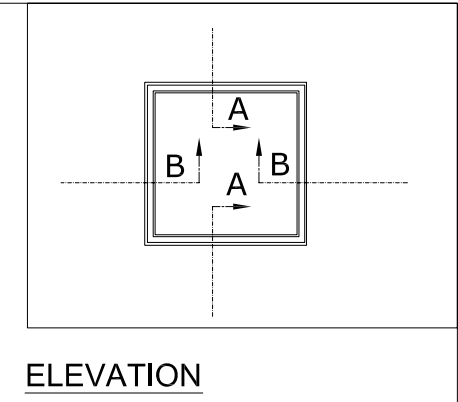
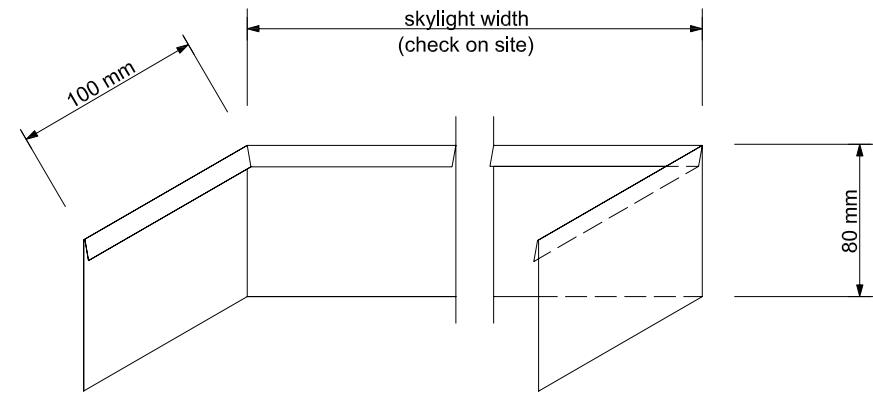


**VELUX VS & VSE Venting Skylight installation guidelines for roofs with roof pitch less than 15 degrees**

For roofs with roof pitches less than 15 degrees, the VELUX VS & VSE Venting Skylight must be installed to a min. 15 degrees.

A purpose made flashing designed to meet the conditions set out in Section E2 of the New Zealand Building Code shall be manufactured and installed by a specialist flashing contractor. This flashing must be guaranteed against weather-tightness by the specialist flashing contractor.

Insulation material meeting the requirements of NZBC/H1 is required in the cavities of the lightwell structure.



**SUGGESTED INSTALLATION - VS, VSE VENTING SKYLIGHT IN MEMBRANE ROOFS (PITCH < 15 DEGREES)**

<p>VELUX Sky-Product Management</p>	<p><b>NEW ZEALAND LTD.</b> 0800 650 445</p>		Name	Date
			Drawn by	Dec. 09
			Checked by	Dec. 09
		Drawing No.		
<p>VS, VSE - Venting Skylight in Membrane Roof (pitch &lt;15 degrees)</p>				