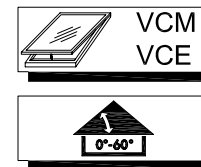
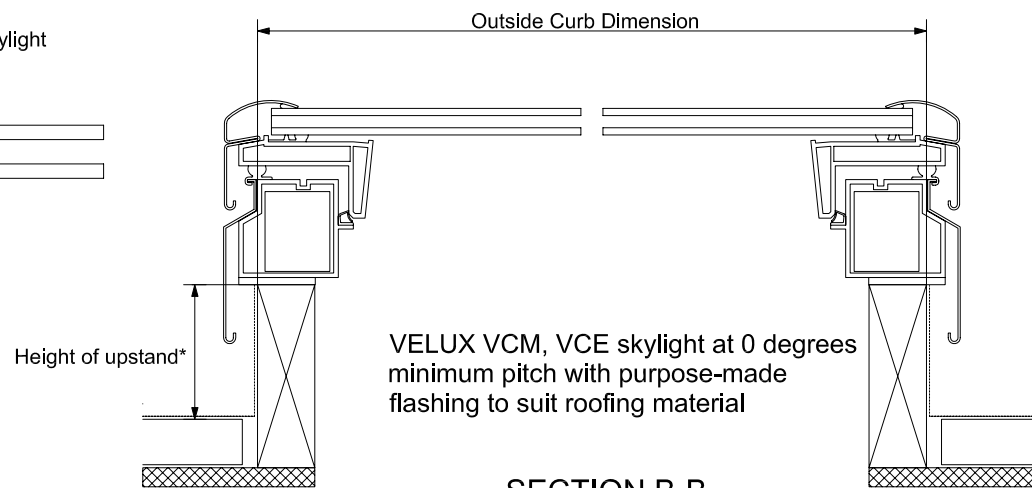
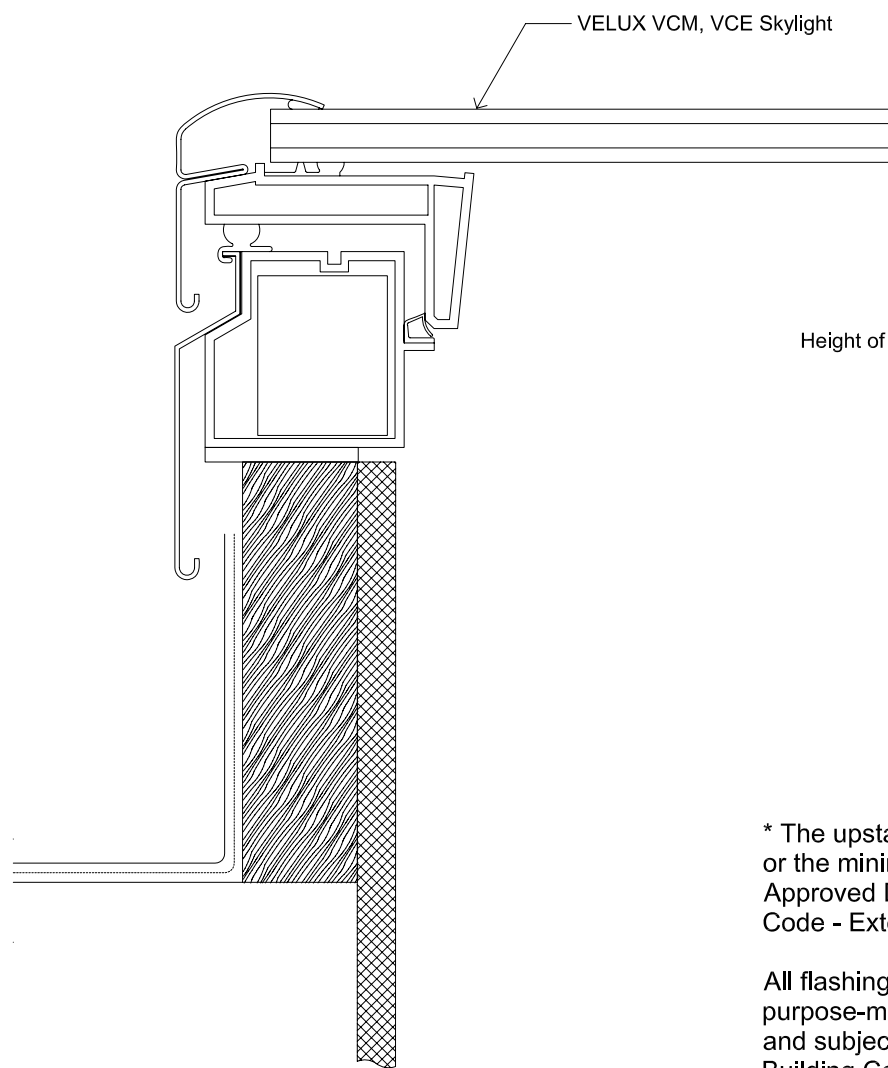


Please note:  
 Below 15 degrees:  
 - Any condensation that forms on the glass due to high humidity may drip  
 - Standing water and dirt left on the glass over time may cause smudging and corrosion on the glass



**ELEVATION**



**SECTION B-B**

\* The upstand shall be the greater of 110 mm or the minimum requirements as set out in the Approved Document for New Zealand Building Code - External Moisture, clause E2

All flashing for VCM & VCE skylights are to be purpose-made to suit the roofing material, and subject to Approved Document for NZ Building Code - External Moisture, clause E2

PRODUCT DIMENSIONS					
METRIC UNITS (MILLIMETERS)					
SIZE	OUTSIDE CURB WIDTH	SKYLIGHT WIDTH	OUTSIDE CURB HEIGHT	SKYLIGHT HEIGHT	DAYLIGHT AREA (SQ. M)
2222	648	688	648	688	0.24
2246	648	688	1257	1297.5	0.55
3030	851	891.1	851	891.1	0.49
4646	1257	1297.5	1257	1297.5	1.22

	<b>NEW ZEALAND LTD.</b> 0800 650 445	Name	Date
		Drawn by Checked by Drawing No.	Dec. 09 Dec. 09
VCM, VCE Skylight general installation details			