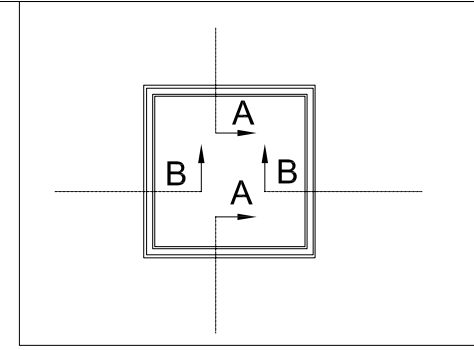
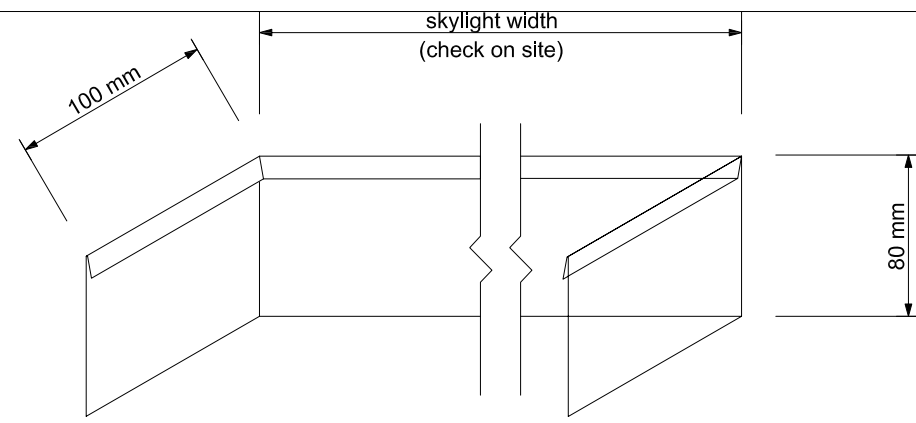


VELUX GGL Roof Window suggested installation in roofs with roof pitch less than 15 degrees

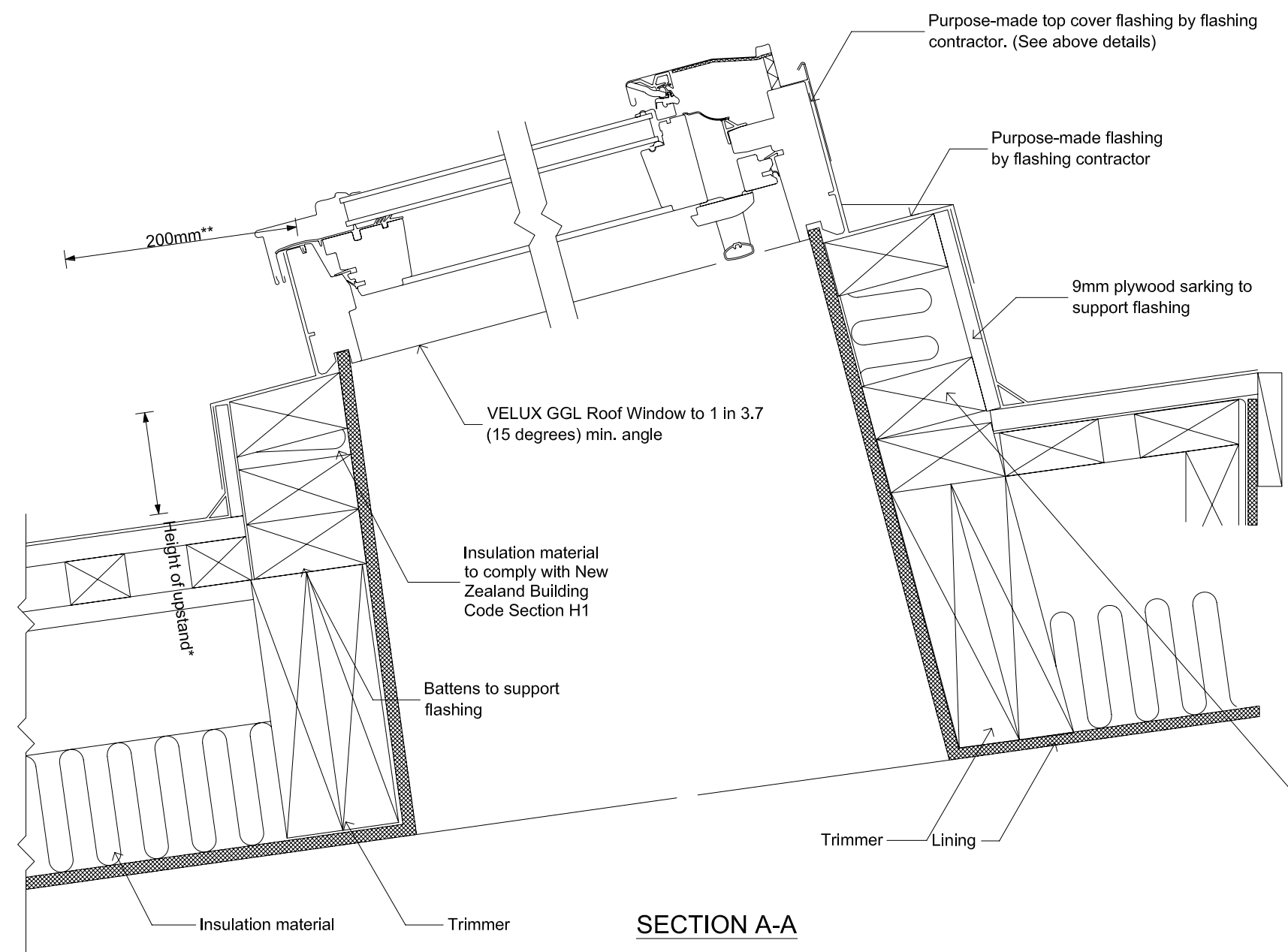
For roofs with roof pitches less than 15 degrees, the VELUX GGL Roof Window must be installed to a min. 15 degrees

A purpose made flashing designed to meet the conditions set out in Section E2 of the New Zealand Building Code shall be manufactured and installed by a specialist flashing contractor. This flashing must be guaranteed against weather-tightness by the specialist flashing contractor.

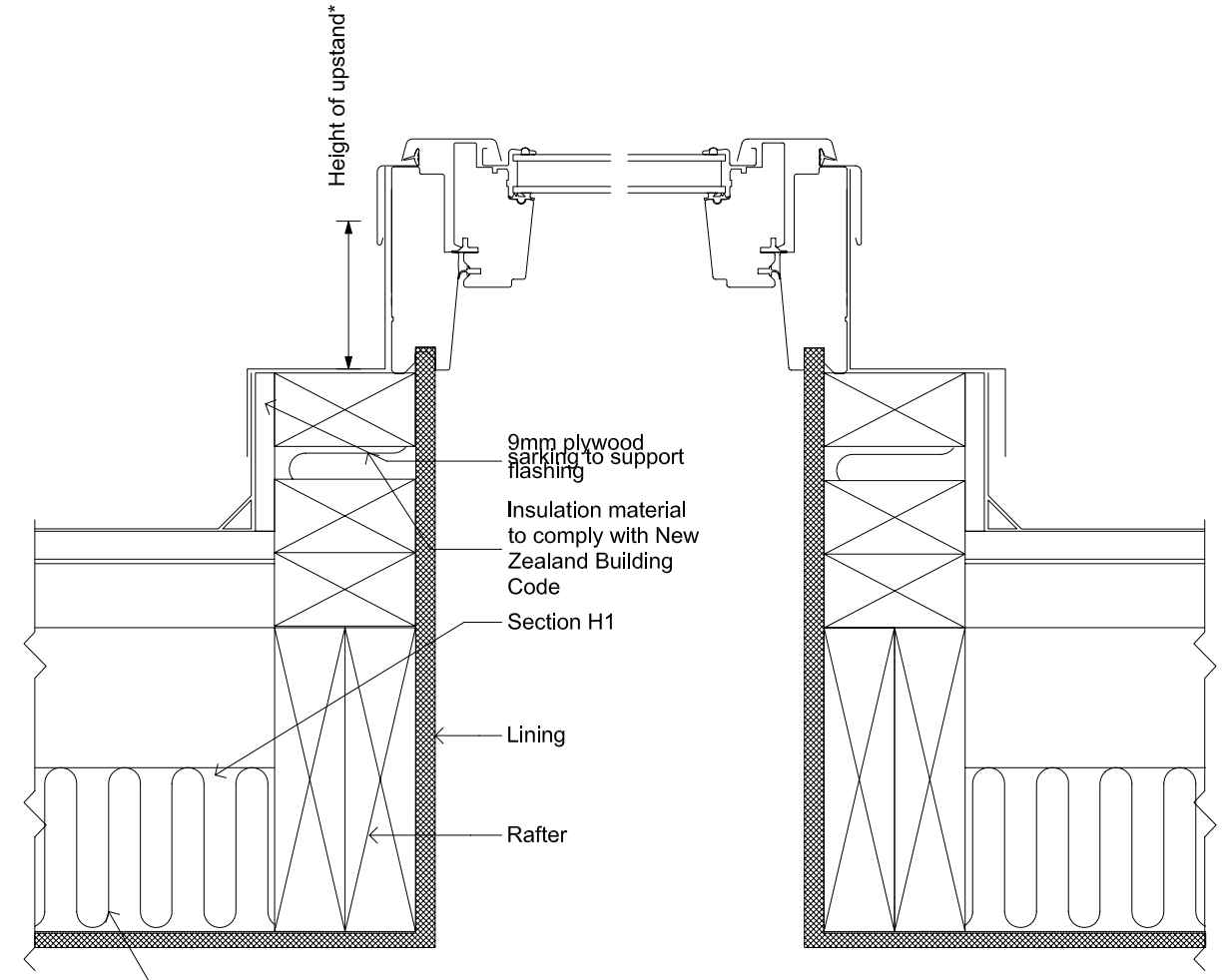
Insulation material meeting the requirements of NZBC/H1 shall be provided in all cavities of the lightwell structure



ELEVATION



SECTION A-A



SECTION B-B

SUGGESTED INSTALLATION - GGL ROOF WINDOW IN MEMBRANE ROOFS (PITCH < 15 DEGREES)

VELUX	NEW ZEALAND LTD.	Name	Date
		0800 650 445	June. 09
Sky-Product Management		Checked by	June. 09
GGL - Roof Window in Membrane Roof (pitch <15 degrees)		Drawing No.	

This drawing is an instrument of service and is provided for informational use only.