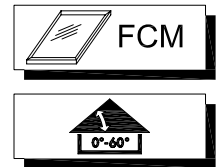
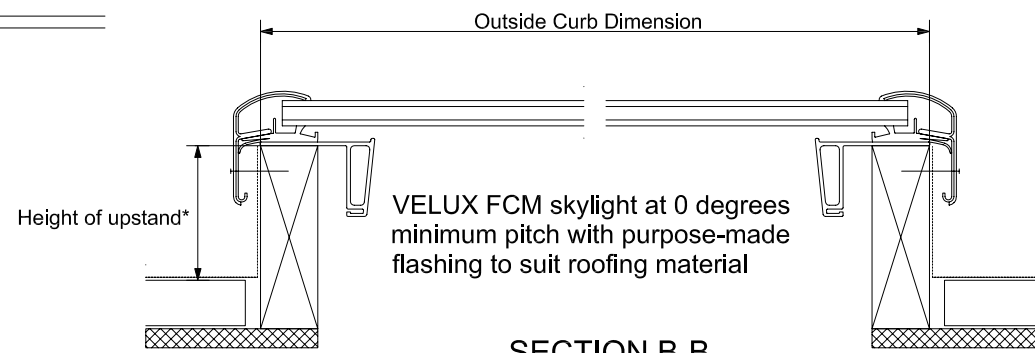
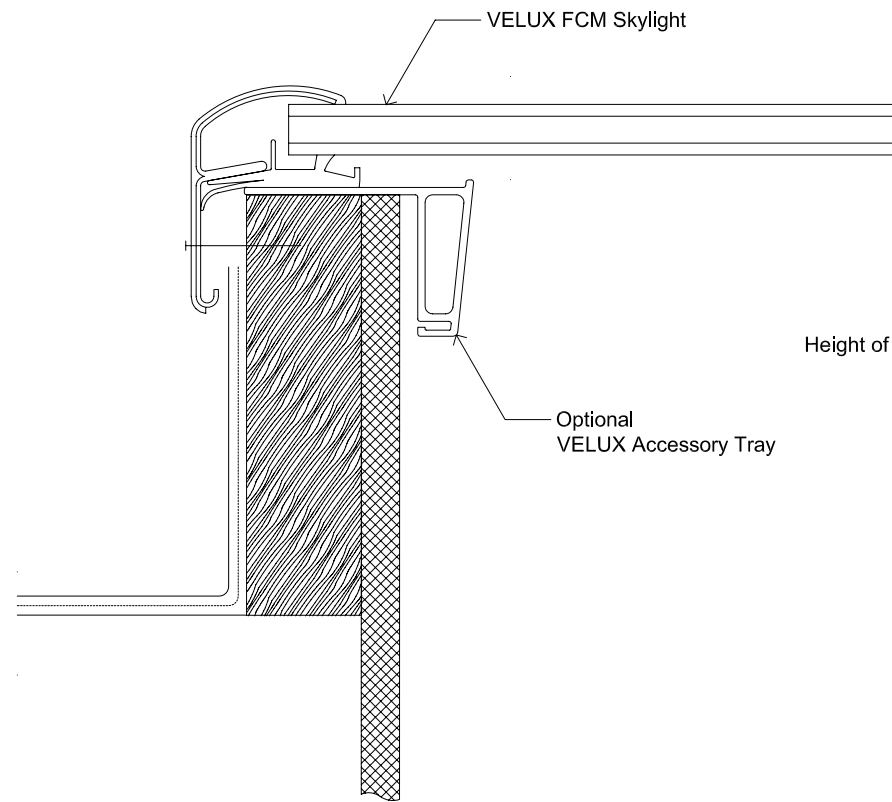


Please note:
 Below 15 degrees:
 - Any condensation that forms on the glass due to high humidity may drip
 - Standing water and dirt left on the glass over time may cause smudging and corrosion on the glass



ELEVATION



SECTION B-B

PRODUCT DIMENSIONS					
METRIC UNITS (MILLIMETERS)					
SIZE	OUTSIDE CURB WIDTH	SKYLIGHT WIDTH	OUTSIDE CURB HEIGHT	SKYLIGHT HEIGHT	DAYLIGHT AREA (SQ. M)
2222	648	689	648	689	0.33
2246	648	689	1257	1299	0.68
3030	851	892	851	892	0.60
4646	1257	1299	1257	1299	1.39

* The upstand shall be the greater of 110 mm or the minimum requirements as set out in the Approved Document for New Zealand Building Code - External Moisture, clause E2

All flashing for FCM skylight are to be purpose-made to suit the roofing material, and subject to Approved Document for NZ Building Code - External Moisture, clause E2

 Sky-Product Management	NEW ZEALAND LTD. 0800 650 445		Name	Date
	Drawn by			Dec. 09
	Checked by			Dec. 09
FCM Skylight general installation details			Drawing No.	